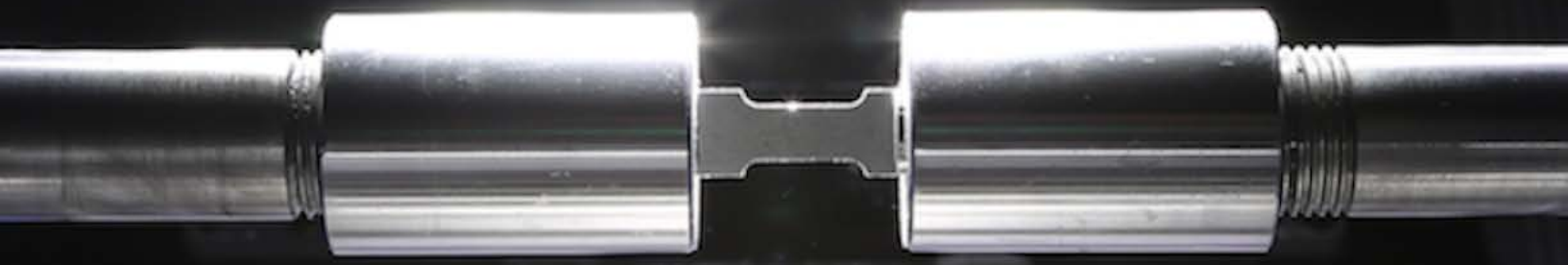


REL
SURE-PULSE™
IMAGE CORRELATION



SURE-TEST SYSTEMS™
HIGH STRAIN RATE EQUIPMENT & TESTING

POWERFUL DIGITAL IMAGE CORRELATION SOFTWARE FOR MECHANICAL STRAIN DATA



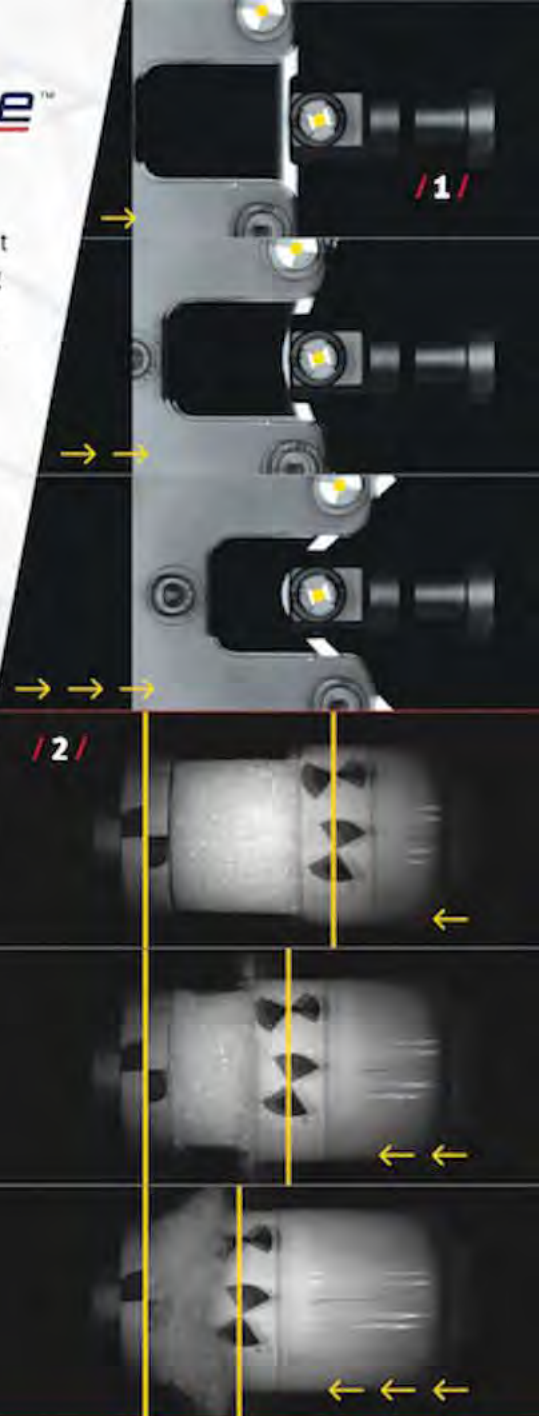
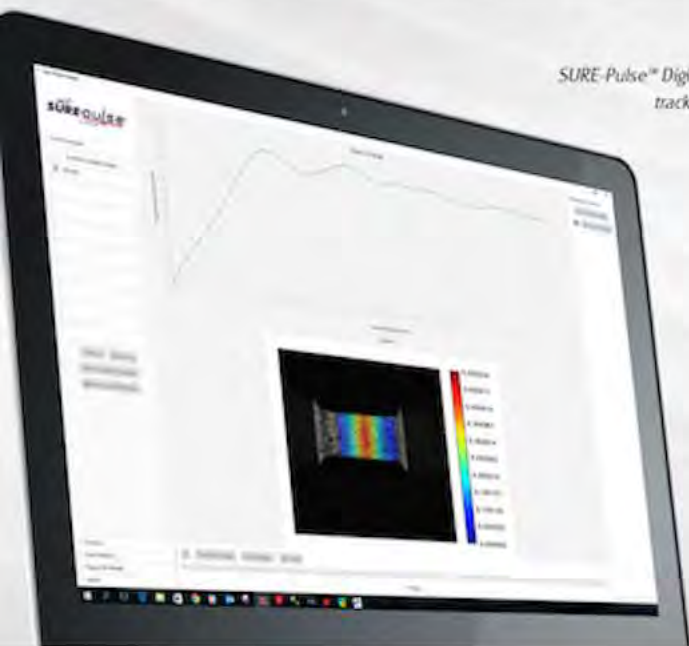
REL's proprietary SURE-Pulse™ Image Correlation (I.C.) software is designed to simplify displacement and strain data collection from high speed imagery. It can be used for both 2D strain mapping and discrete target tracking. SURE-Pulse™ I.C. was developed for high strain rate material testing applications and works very well for all types of mechanical testing where mechanical displacement sensors are impractical or inaccurate.

SURE-Pulse™ I.C. streamlines the process of importing images, selecting regions or targets of interest, calibrating pixel size and exporting displacement and strain data. From simple quasi-static tension testing to foam impact to high strain rate SHPB testing, SURE-Pulse™ software makes your data processing tasks quick, reliable and repeatable.

SOFTWARE HIGHLIGHTS

- 2D strain maps with graphic color overlay
- Discrete target tracking of multiple features
- High contrast tracking features of any size or shape
- Exports strain, displacement or velocity data for analysis
- Recognizes all major image formats
- Built-in smoothing and filtering algorithms for noisy images
- User-friendly Digital Image Correlation for demanding applications
- Compatible with Windows®, Macintosh® and Linux® computer operating systems

SURE-Pulse™ Digital Image Correlation software tracks 2D speckled strain fields for high speed tension testing.



1 Three-point metal bend test at 40 ft/sec. SURE-Pulse™ Image Correlation tracks target X (and Y) coordinates during the test for relative displacement.

2 Foam compression test at 150 ft/sec. SURE-Pulse™ Image Correlation tracks target X (and Y) coordinates for relative displacement and velocity.

REL, Inc.

57640 North Eleventh Street | Calumet, Michigan 49913
906.337.3018 | 906.337.2930 | rel@relinc.net

relinc.net

