



**REL**  
**SURE-SERVO™**  
DYNAMIC TEST MODULE



**SURE-TEST SYSTEMS™**  
HIGH STRAIN RATE EQUIPMENT & TESTING

## ENGINEERED DYNAMIC SERVO DRIVEN TESTING SYSTEM

**REL**  
**SURE-SERVO™**  
DYNAMIC TEST MODULE

SURE-Servo™ is a servo driven testing module designed to complement high strain rate Split-Hopkinson Pressure Bar and direct impact testing. The system mounts horizontally on any SURE-FLAT™ platform and can conduct testing in compression or tension. The servo mechanical drive system generates very consistent load profiles in a compact, efficient package. System load capacity can be adjusted with precision gear reducers and linear actuators to perform at low to medium strain rates while maintaining maximum power input.

### EQUIPMENT HIGHLIGHTS

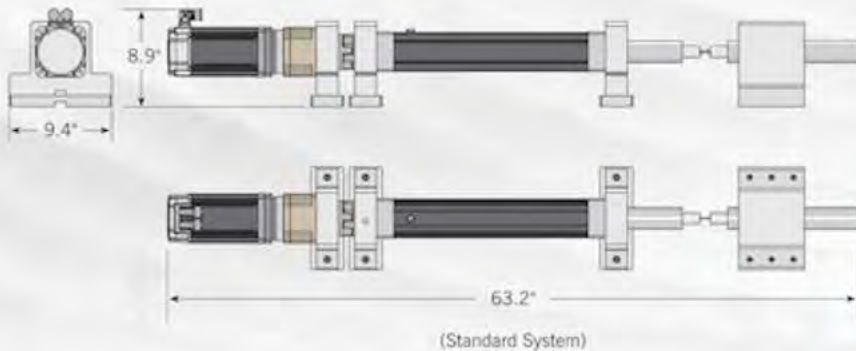
0-50 inch/s velocity (+/- 1% accuracy)

5000 lb standard load capacity

Utilizes the same grips and sample fixtures as high strain rate modules for comparison

Precise and programmable load curves

Displacement or load control capable



Digital imaging can easily be performed on test samples mounted to the SURE-Servo™ module

- 1 Dynamic 3-point bend testing of steel bars.
- 2 Foam sample under compression testing.
- 3 Aluminum sample under tension testing. SURE-Servo™ test module uses identical grips and sample fixtures across all SURE-TEST Systems™ modules.
- 4 SURE-Servo™ module shown adjacent to a high strain rate test module. The versatility of the SURE-FLAT™ platform allows for parallel test setups at virtually any point along the length of the bar.

REL, Inc.

57640 North Eleventh Street | Calumet, Michigan 49913

906.337.3018 t 906.337.2930 f rel@relinc.net

relinc.net

