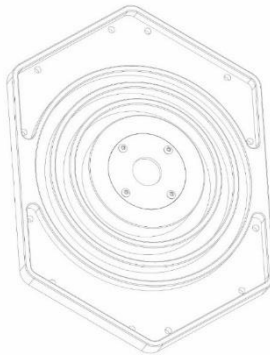


LED UV-A Lamp Family

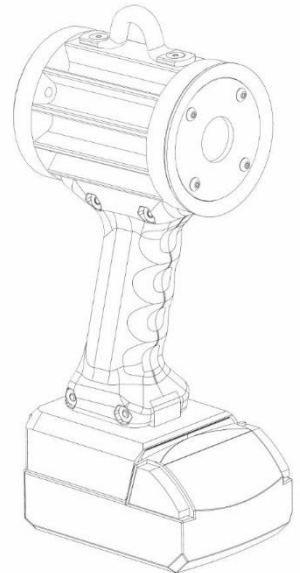
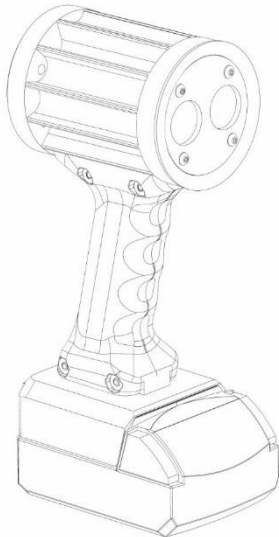
DING RING REMOVAL INSTRUCTIONS

UV-3000 **C4 Magnum - GO**

UV-2000 **C4 Magnum**



UV-4000 **Profusion**



UV-3400 **C4 Nomad - GO**

UV-2400 **C4 Nomad**

STEP 1: USE 5/64 ALLEN WRENCH TO REMOVE 4 COVER SCREWS



STEP 2: REMOVE COVER AND SET ASIDE. NOTE: IF O-RINGS BECAME UNSEATED, GENTLY PRESS THEM BACK INTO GROOVE



STEP 3: SEPARATE THE OLD RING FROM THE COVER



STEP 4: PUSH NEW RING ONTO FRONT OF LAMP



STEP 5: PLACE COVER ON TOP OF RING AND INSTALL THE 4 COVER
SCREWS



REL, Inc.
57640 North Eleventh Street
Calumet, MI 49913
Phone: 1-906-337-3018

Sales: salesgb@relinc.net
Service: servicegb@relinc.net